

PLEASE CHECK WWW.MOLEX.COM FOR LATEST PART INFORMATION

Part Number: **0475938000**
Status: **Active**
Description: Back Plate for Desktop Type 1.01mm (.040") Pitch LGA 1366 Processor Socket, Steel

Documents:

[3D Model](#)
[Drawing \(PDF\)](#)

[RoHS Certificate of Compliance \(PDF\)](#)

General

Product Family	Processor Sockets
Series	47594
Comments	Back Plate Assembly for Desktop Application
Component Type	Back Plate Assembly
Product Name	LGA1366

Physical

Circuits (Loaded)	0
Circuits (maximum)	0
Durability (mating cycles max)	30
Material - Metal	Steel
Material - Plating Mating	Nickel
Packaging Type	Tray
Pitch - Mating Interface (in)	3.150 In
Pitch - Mating Interface (mm)	80.00 mm
Plating min: Mating (µin)	3.15
Plating min: Mating (µm)	80.00
Temperature Range - Operating	-40°C to +88°C
Termination Interface: Style	Screw or Lug

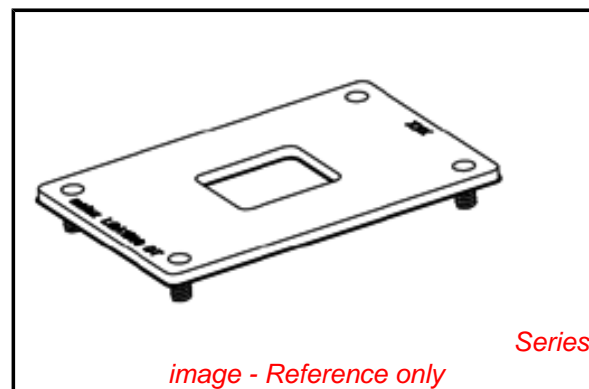
Electrical

Current - Maximum per Contact	0.8A
Voltage - Maximum	5V

Material Info

Reference - Drawing Numbers

Sales Drawing	SD-47593-800
---------------	--------------



EU RoHS

**ELV and RoHS
Compliant**
REACH SVHC
 Not Reviewed
**Halogen-Free
Status**

China RoHS



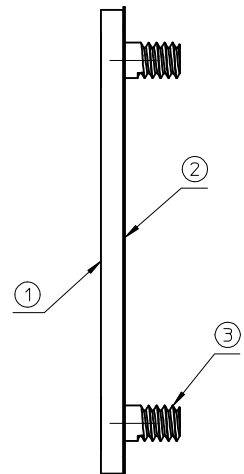
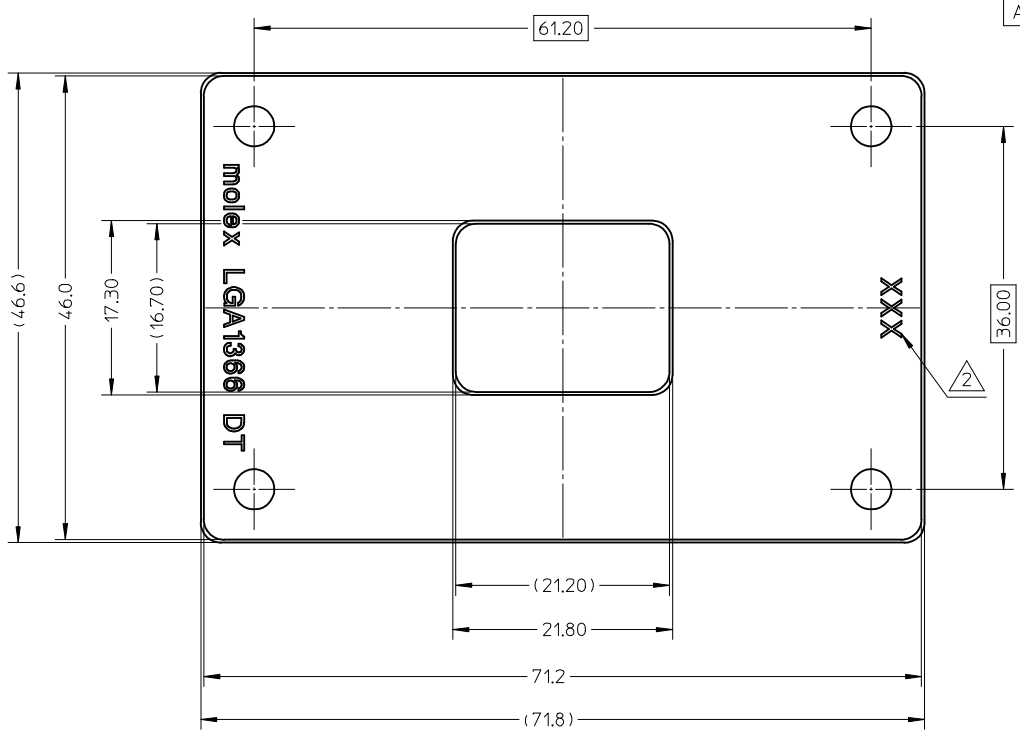
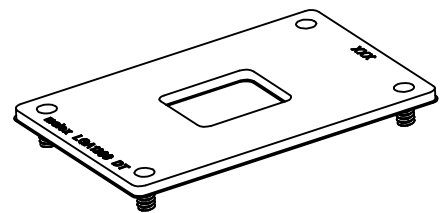
**Need more information on product
environmental compliance?**

Email productcompliance@molex.com
 For a multiple part number RoHS Certificate of
 Compliance, [click here](#)

Please visit the [Contact Us](#) section for any
 non-product compliance questions.

Search Parts in this Series
 47594Series

10 9 8 7 6 5 4 3 2 1



- NOTES:
1. MATE WITH LGA1366 ILM ASSEMBLY, DETAIL REFER TO SD-47593-900
 2. DATE CODE
 3. THE PARTS 475938000 COMPLIANT TO RoHS DIRECTIVE 2002/95/EC AND ELV 2000/53/EC

BILL OF MATERIAL			
ITEM NO	QTY	DESCRIPTION	MATERIAL
	1	BACK PLATE ASSY FOR DESKTOP	
①	1	BACK PLATE	STEEL WITH NICKEL PLATING
②	1	BACK PLATE INSULATOR	FORMEX GK-5BK
③	4	BACK PLATE SCREW	STEEL WITH ZINC PLATING

RTT EC NO: SH2009-0151 DRWN: YQSUN CHKD: APPR: ASHR 2008/10/27 2008/11/03 2008/11/12	QUALITY SYMBOLS	GENERAL TOLERANCES (UNLESS SPECIFIED)	DIMENSION STYLE	SCALE	DESIGN UNITS	THIRD ANGLE PROJECTION
	▼=0 ◻=0	mm INCH 4 PLACES ± --- ± --- 3 PLACES ± --- ± --- 2 PLACES ± 0.2 ± --- 1 PLACE ± 0.3 ± --- ANGULAR ± 1 °	MM ONLY	1:1	METRIC	
	DESCRIPTION	DRAFT WHERE APPLICABLE MUST REMAIN WITHIN DIMENSIONS	DRAWN BY: YQSUN DATE: 2008/10/13 CHECKED BY: JKACHLIC DATE: 2008/10/13 APPROVED BY: ALEX SHR DATE: 2008/10/13	TITLE	LGA1366CKT SOCKET BACK PLATE FOR DESKTOP APPLICATION	
	REV		MATERIAL NO. 47593-8000	DOCUMENT NO. SD-47593-800	MOLEX INCORPORATED SHEET NO. 1 OF 1	

9 8 7 6 5 4 3 2 1